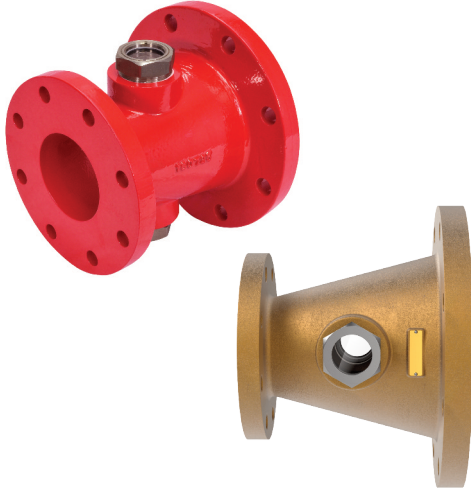




— MODEL — **WC-1**

# Waste Cone

- Available for Onshore and Offshore Applications
- Manufactured in Accordance with NFPA 20 Requirements
- Designed for use with UL/FM Approved Fire Pump Pressure Relief Valves



#### Optional Materials for Seawater and Severe Service Applications:

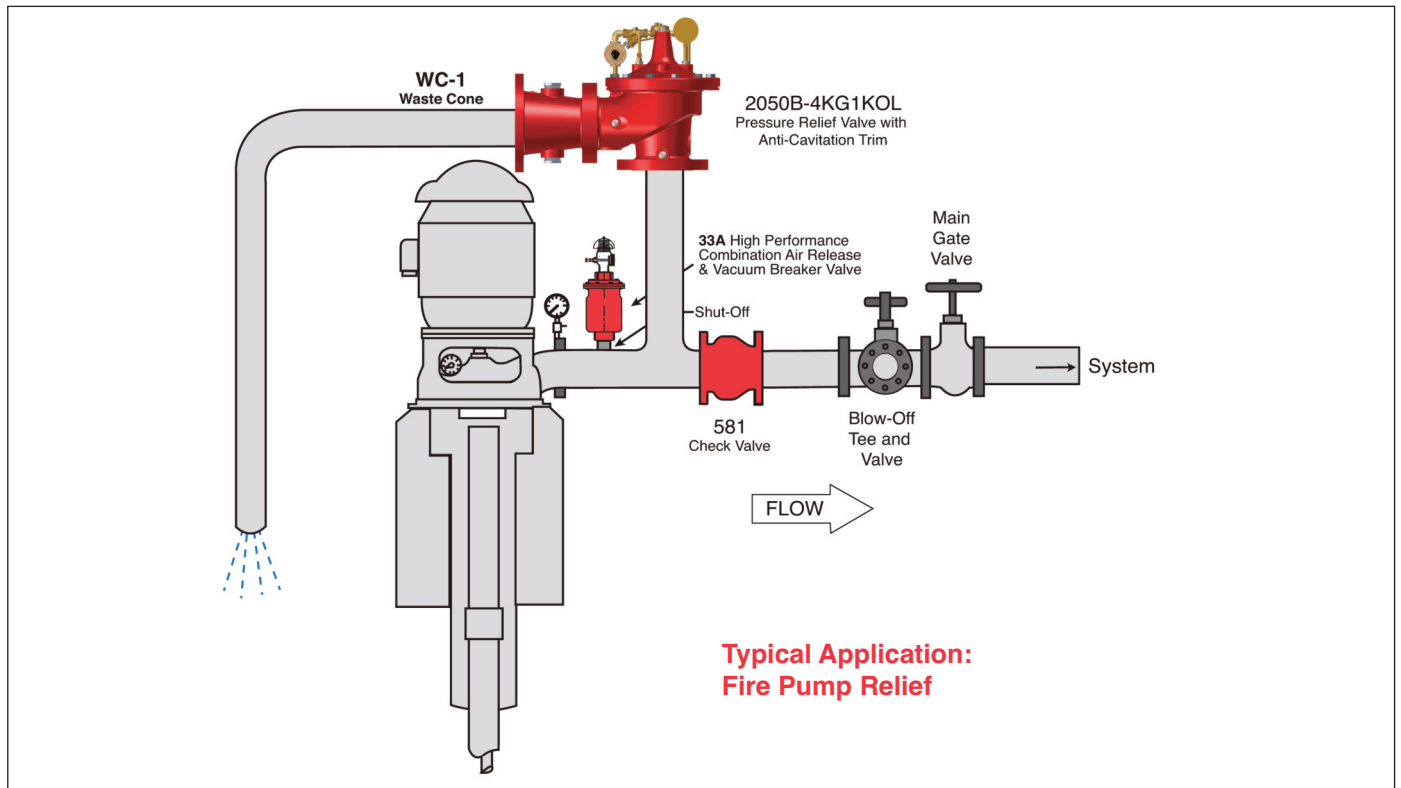
- Nickel Aluminum Bronze (NAB) - ASTM B148 Alloy C95800
- Monel - QQ-N-288 Comp B - ASTM A494 Grade M30H
- Cast Steel - ASTM A216 Grade WCB
- 316 Stainless Steel - ASTM A743 Grades CF3M and CFM8
- Super Austenitic Stainless Steel - ASTM A351 Grade CK3MCuN (SMO 254)
- Super Duplex Stainless Steel - ASTM A890 Grade 5A (CE3MN)

#### Standards:

- Fusion Bonded Red Epoxy Coated
- Ductile Iron - ASTM A536-65
- (2) 2" 316 SS Sight Glasses per WC-1
- Single Body Casting (No Welding)

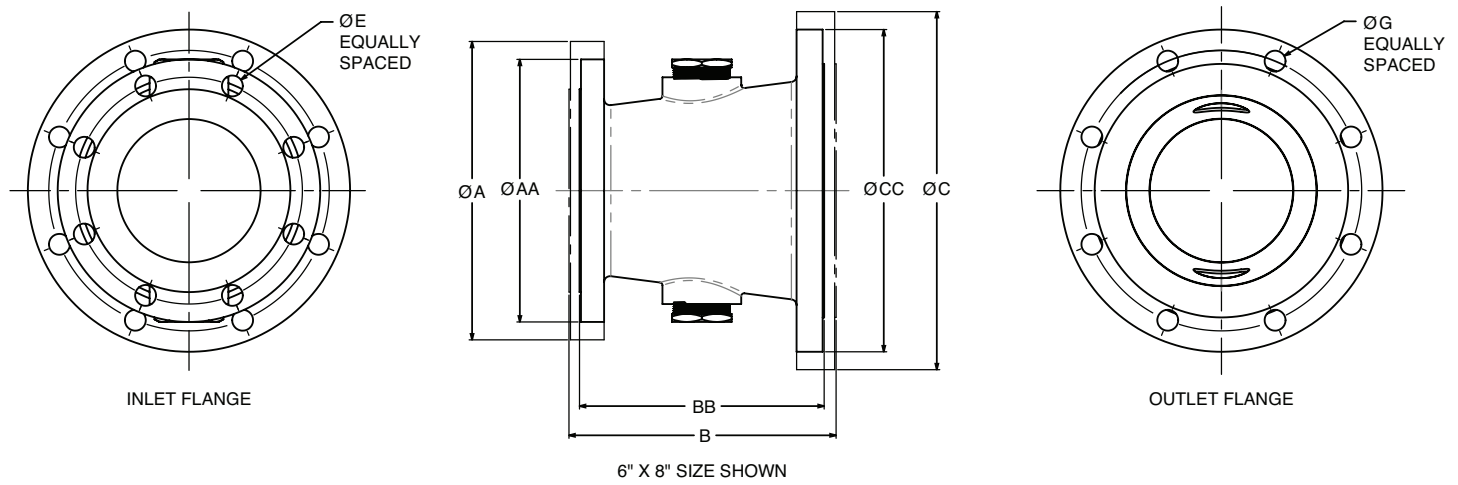
#### Flanges

- 150# Class (FF Standard)
- 300# Class (RF Standard)
- Raised Face and Flat Faced Options



# WC-1

## Technical Data & Dimensions



SIZE INLET X OUTLET	PUMP GPM	PRESSURE CLASS	$\varnothing A$	$\varnothing AA$	B	BB	$\varnothing C$	$\varnothing CC$	$\varnothing E$	NUMBER OF HOLES (INLET)	DIAMETER OF BOLTS (INLET)	$\varnothing G$	NUMBER OF HOLES (OUTLET)	DIAMETER OF BOLTS (OUTLET)	WEIGHT (IN LBS.)
3" X 5"	0 - 450	150LB	-	7.50	-	8.25	-	10.00	.750	4	.625	.875	8	.750	34
		300LB	8.25	-	9.24	-	11.00	-	.875	8	.750	.875	8	.750	53
3" X 6"	450 - 500	150LB	-	7.50	-	9.00	-	11.00	.750	4	.625	.875	8	.750	41
		300LB	8.25	-	9.69	-	12.50	-	.875	8	.750	.875	12	.750	63
4" X 6"	500 - 750	150LB	-	9.00	-	9.00	-	11.00	.750	8	.625	.875	8	.750	43
		300LB	10.00	-	9.75	-	12.50	-	.875	8	.750	.875	12	.750	70
4" X 8"	750 - 1000	150LB	-	9.00	-	10.25	-	13.50	.750	8	.625	.875	8	.750	62
		300LB	10.00	-	11.06	-	15.00	-	.875	8	.750	1.000	12	.875	99
6" X 8"	1000 - 1500	150LB	-	11.00	-	10.25	-	13.50	.875	8	.750	.875	8	.750	67
		300LB	12.50	-	11.19	-	15.00	-	.875	12	.750	1.000	12	.875	110
6" X 10"	1500 - 2500	150LB	-	11.00	-	11.50	-	16.00	.875	8	.750	1.000	12	.875	94
		300LB	12.50	-	12.63	-	17.50	-	.875	12	.750	1.125	16	1.000	150
8" X 12"	2500 - 3500	150LB	-	13.50	-	13.00	-	19.00	.875	8	.750	1.000	12	.875	138
		300LB	15.00	-	14.25	-	20.50	-	1.000	12	.875	1.250	16	1.125	207
8" X 14"	3500 - 5000	150LB	-	13.50	-	14.00	-	21.00	.875	8	.750	1.125	12	1.000	173
		300LB	15.00	-	15.25	-	23.00	-	1.000	12	.875	1.250	20	1.125	255

Visit [www.cla-val.com](http://www.cla-val.com) to learn more about Cla-Val Fire Protection Products



E-WC-1 (R-03/2021)

## CLA-VAL

1701 Placentia Avenue • Costa Mesa CA 92627

800-942-6326 • Web Site: [www.cla-val.com](http://www.cla-val.com) • E-mail: [info@cla-val.com](mailto:info@cla-val.com)

**CLA-VAL CANADA**  
4687 Christie Drive  
Beamsville, Ontario  
Canada L0R 1B4  
Phone: 905-563-4963  
[www.cla-val.com](http://www.cla-val.com)  
E-mail [sales@cla-val.ca](mailto:sales@cla-val.ca)

**CLA-VAL EUROPE**  
Chemin des Mésanges 1  
CH-1032 Romanel/  
Lausanne, Switzerland  
Phone: 41-21-643-15-55  
[www.cla-val.ch](http://www.cla-val.ch)  
E-mail: [cla-val@cla-val.ch](mailto:cla-val@cla-val.ch)

**CLA-VAL UK**  
Dainton House, Goods Station Road  
Tunbridge Wells  
Kent TN11 2 DH England  
Phone: 44-1892-514-400  
[www.cla-val.ch](http://www.cla-val.ch)  
E-mail: [info@cla-val.ch](mailto:info@cla-val.ch)

**CLA-VAL FRANCE**  
Porte du Grand Lyon 1  
ZAC du Champ du Périer  
France - 01700 Neyron  
Phone: 33-4-72-25-92-93  
[www.cla-val.ch](http://www.cla-val.ch)  
E-mail: [cla-val@cla-val.ch](mailto:cla-val@cla-val.ch)

**CLA-VAL ASIA PACIFIC**  
45 Kennaway Road  
Woolston, Christchurch, 8023  
New Zealand  
Phone: 64-39644860  
[www.cla-valpacific.com](http://www.cla-valpacific.com)  
E-mail: [info@cla-valpacific.com](mailto:info@cla-valpacific.com)